



ADDENDUM NO. 2
TO
CONTRACT DOCUMENTS
FOR THE
PREWETT PARK CONCRETE IMPROVEMENTS
IN
ANTIOCH, CALIFORNIA
P.W. 567-6

ISSUED
January 31, 2018

This Addendum No. 2 must be signed by the bidder and attached to the CONTRACT PROPOSAL PACKAGE for consideration by the City. The City reserves the right to disregard any proposal, which does not include this Addendum. The City may waive this requirement at its sole discretion.

SEE ATTACHED ADDENDUM ITEMS

Prepared By: _____

Scott Buenting, P.E.



BIDDER'S CERTIFICATION

I acknowledge receipt of this Addendum No. 2 and accept all conditions contained herein.

Bidder

By:

1) The attached Appendices which include the following figures is included in the Special Provisions:

- Figure 1, "Detail for ADA Lift Anchor"
- Figure 2, "Detail for Grab Rail Anchor Sleeve"
- Figure 3, "Detail for Backstroke Stanchion Anchor"
- Figure 4, "Detail for Curb Wall Section"
- Figure 5, "Detail for Concrete Steps"
- Figure 6, "Detail for Drinking Fountain"

APPENDICES

CONSTRUCTION DETAIL DRAWINGS
FOR
PREWETT PARK
CONCRETE IMPROVEMENTS
P.W. 567-6

FIGURE 1. DETAIL FOR ADA LIFT ANCHOR

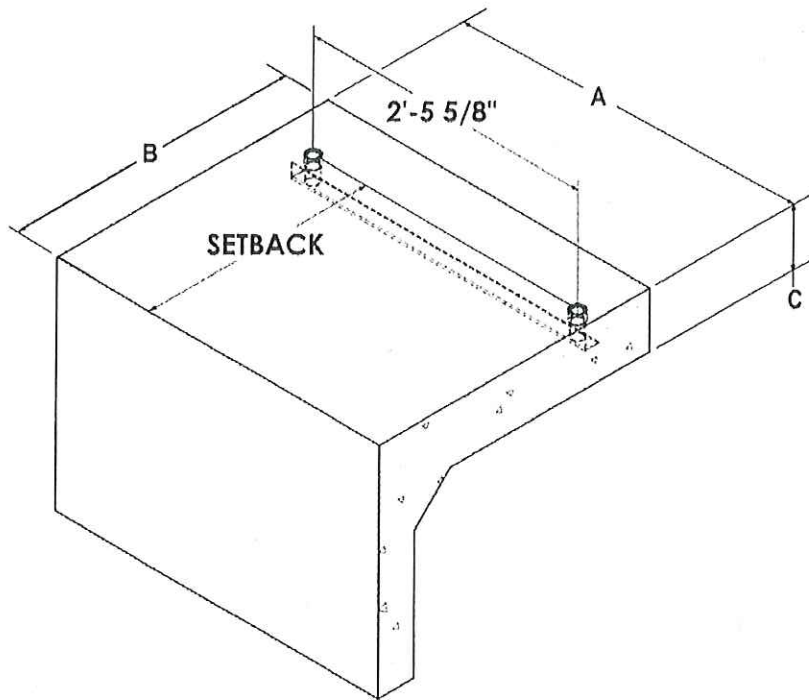


FIGURE 2. DETAIL FOR GRAB RAIL ANCHOR SLEEVE

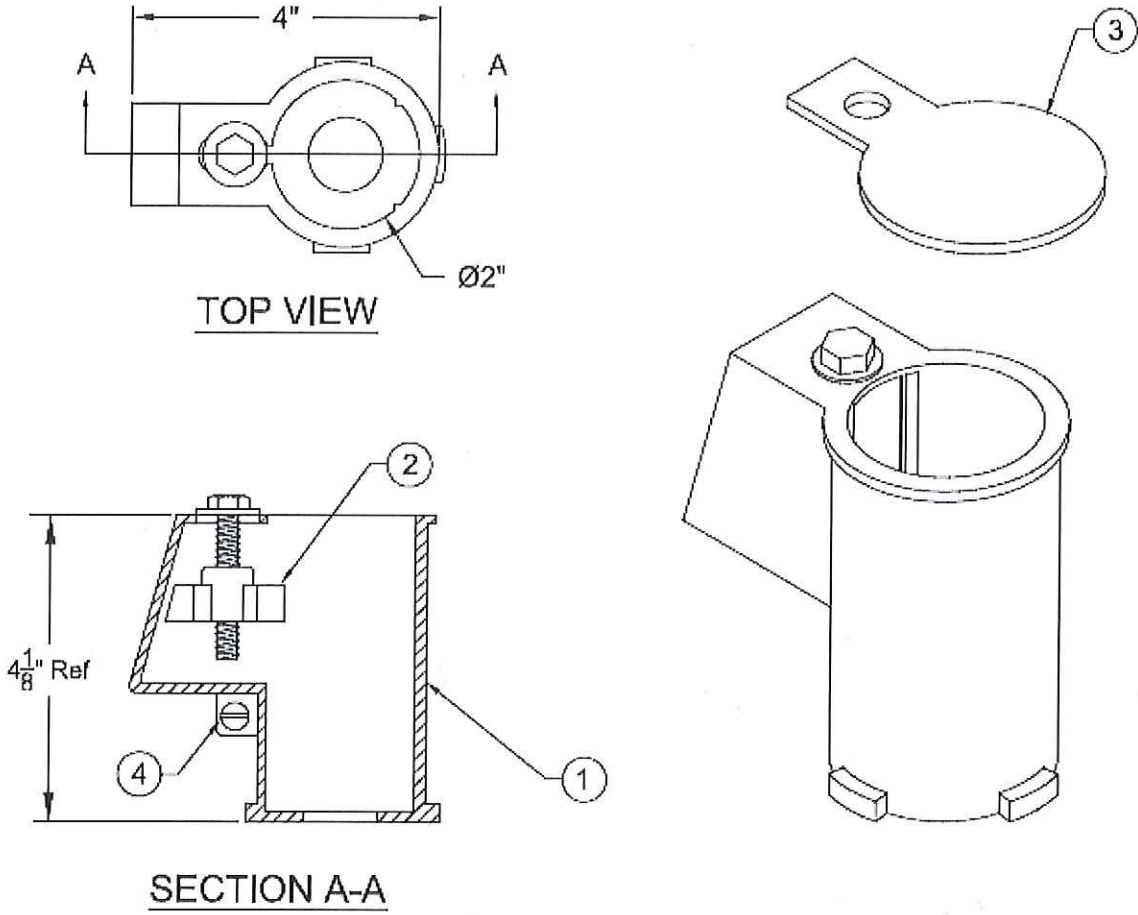


FIGURE 3. DETAIL FOR BACKSTROKE STANCHION ANCHOR

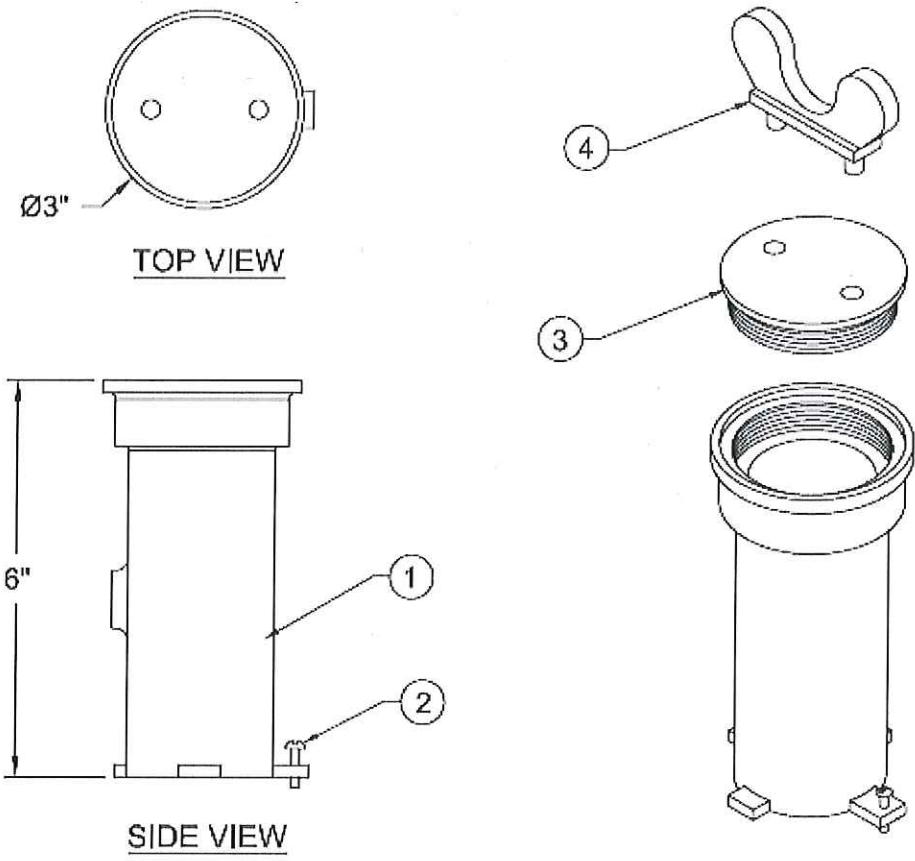
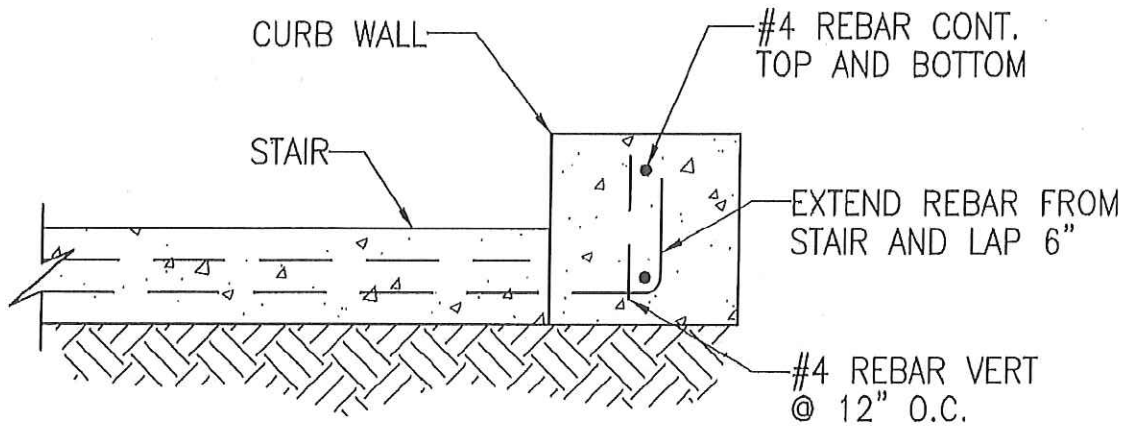


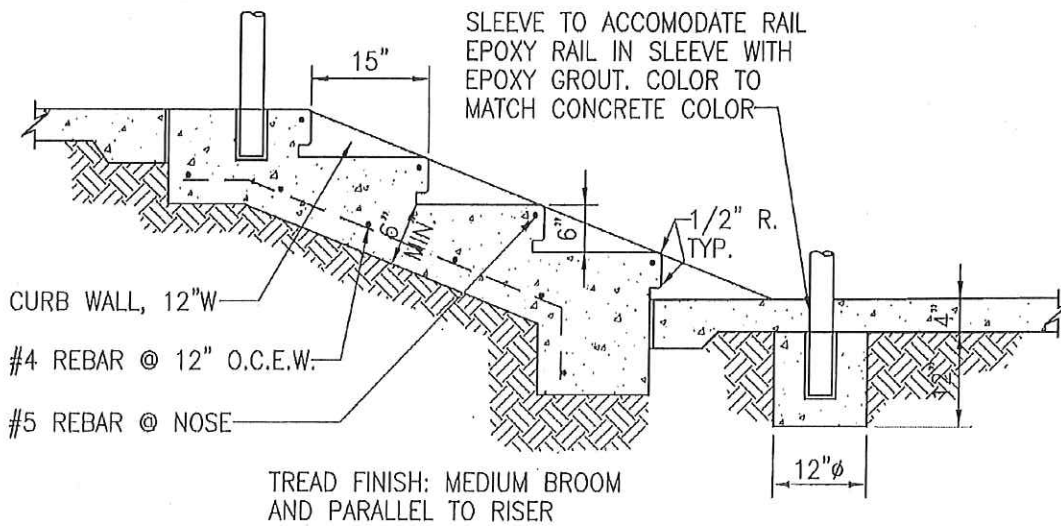
FIGURE 4. DETAIL FOR CURB WALL SECTION



SECTION AT CURB WALL

1" = 1'-0"

FIGURE 5. DETAIL FOR CONCRETE STEPS



CONCRETE STAIR DETAIL

3/4" = 1'-0"

FIGURE 6. DETAIL FOR DRINKING FOUNTAIN

